

INSTALLATION OF PEPSI HIGH SECURITY TOP AND BOTTOM HINGES M035.1

1 – 801,304,92x.x1	Top Hinge
1 - 592,051,18x.x3	Bottom Hinge Guard, Cabinet
1 - 592,051,19x.x3	Bottom Hinge Guard, Door
3 - 900,301,65x.x1	Screw, Phil Pan Sems with Washer, #8-18x1/2"
2 - 800,303,19x.x1	Bolt, Carriage, 1/4 - 20 x 5/8 GRADE 5
2 - 900,800,67x.x1	Nut, Keps 1/4 - 20

Tools Required:	7/16" deepwell socket	ratchet for socket
	Drill	1/8" drill bit
	Phillips screwdriver	chair or short stepladder
	3/8" socket	vender hand truck

NOTE: PLEASE READ ALL INSTRUCTIONS THOROUGHLY PRIOR TO BEGINNING WORK.

CAUTION: DOOR WEIGHS OVER 150 LBS. & NEEDS TO BE HANDLED BY 2 PEOPLE.

To remove door:

1. Unplug the vender.
2. Open the door and locate the "P" clamp (near the bottom hinge side of the door) that secures the harness to the main door.
3. Remove the "P" clamp and save for use later. (Figure A).
4. Remove the screw securing the green ground wire next to the wire guard.
5. Remove the wire guard at the bottom of the door. (Figure A).
6. Unplug all connectors going from the cabinet to the door.
Note: One set of connectors may have sleeving covering them. This needs to be reinstalled later.
7. Remove the hinge pocket cover and the foam insulation square. (Figure B).

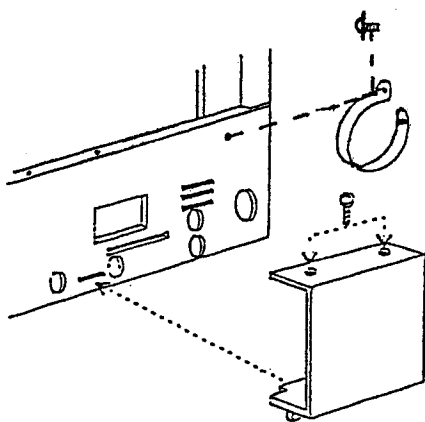


Figure A

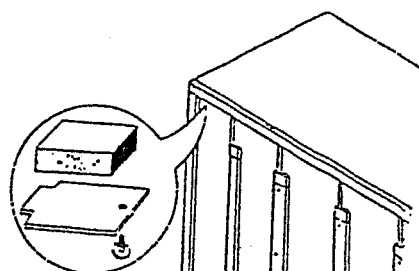


Figure B

INSTALLATION OF HIGH SECURITY TOP AND BOTTOM HINGES

CAUTION: DOOR WEIGHS OVER 150 LBS. & NEEDS TO BE HANDLED BY 2 PEOPLE.

To install door:

8. Loosen the five bolts securing the top door hinge to the cabinet.
9. Important: The door weighs over 150 lbs. and needs to be held in place while the nuts and bolts are removed from the hinge.
 - A. Have one person hold the door in place.
 - B. Remove the nuts and bolts from the hinge.
10. Lift the door up and off the bottom hinge pin.
11. Remove the top hinge from the door. Save the hinge pin for later use.
12. Use the hand truck to lean the vender back and remove the 2 nuts from the carriage bolts supporting the corner gusset under the bottom hinge pin. (Figure C).13. While the vender is still leaning back on the hand truck, install the Bottom Hinge Guard using the 2 carriage bolts. (Figure D).
14. Install the new top hinge on the door.
15. Place the door on the bottom hinge pin.
16. Have one person hold the door in place.
17. Install the five bolts and nuts and tighten.
18. Check T-handle to nut retainer housing alignment and make any adjustments needed.
19. Install the hinge pocket insulation square and the hinge pocket cover. (Figure B).
20. Plug all connectors together that were unplugged in step 6.

Note: Be sure to reinstall sleeving on the set of connectors it was removed from in step 6.
21. Secure ground wire to door removed in step 4.
22. Secure harnessing to the door using the "P" clamp removed in step 3. (Figure A).
23. Install the wire guard removed in step 5. (Figure A).

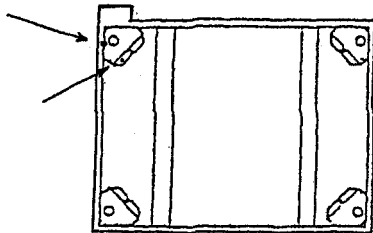


Figure C

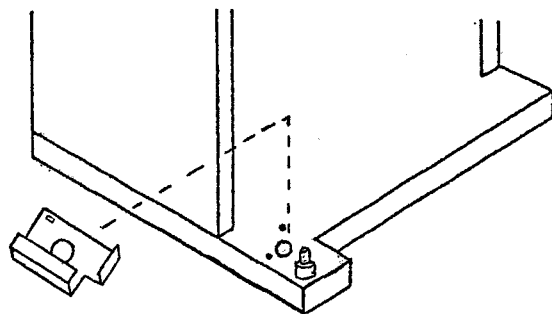


Figure D

INSTALLATION OF HIGH SECURITY TOP AND BOTTOM HINGES

To install bottom hinge guard (door):

24. Open the door and tape the bottom hinge guard (door) to the lower right corner of the door (as depicted in Figure E). Approximately 1 1/8" of the door bottom hinge guard will protrude below the door
25. Close the door carefully and check for proper alignment of the door bottom hinge guard with the cabinet bottom hinge guard. (The flange in the cabinet bottom hinge guard should engage in the slot of the door bottom hinge guard). Adjust as necessary.
26. Secure the door bottom hinge guard to the door with 3 screws.

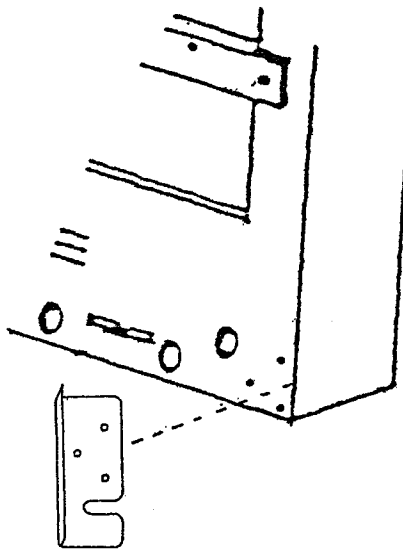


Figure E